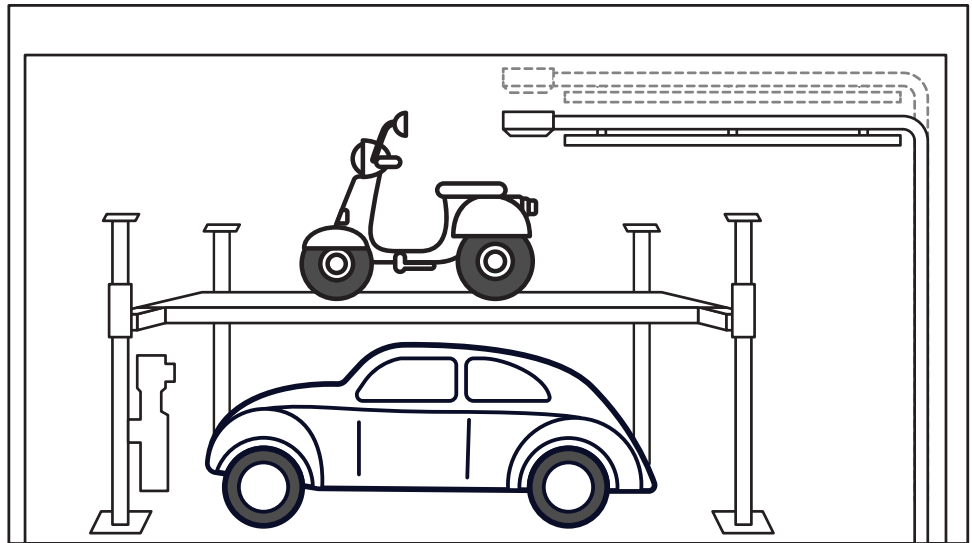
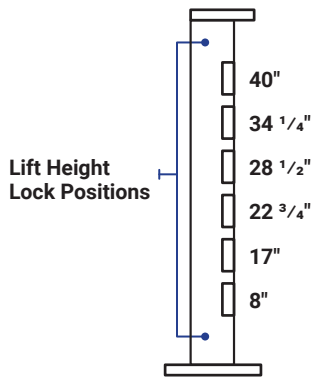


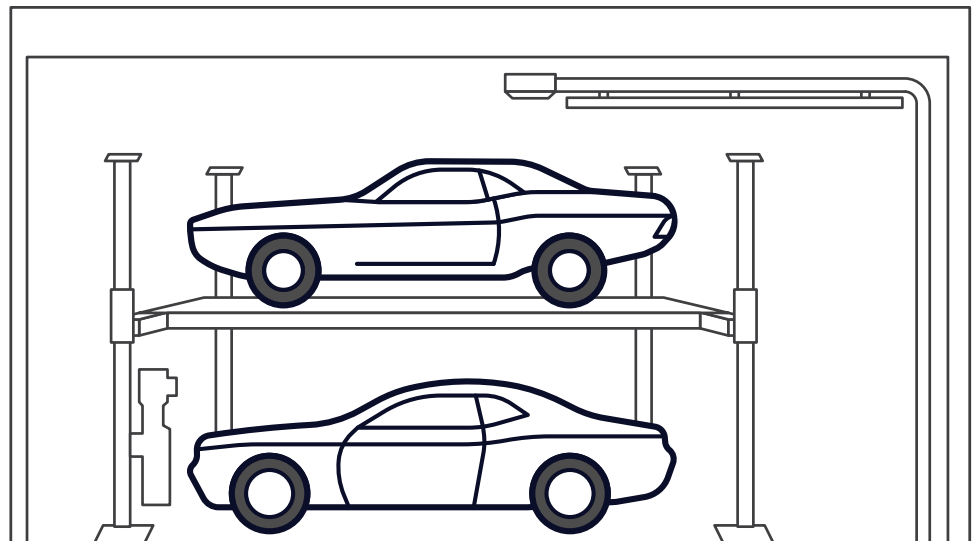
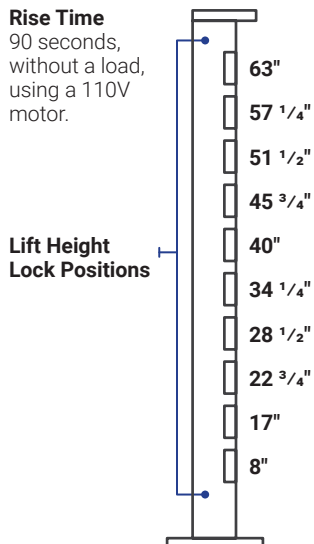
**Garage doors and tracks can easily be moved higher if they interfere with the vehicle in the air.** If you can not do it yourself, any qualified local garage door company can do this for you. **Note:** Necessary ceiling height can vary greatly, depending on the height of the vehicles to be used with the lift.

## 3000# RECREATIONAL LIFT



## 7000# CLASSIC LIFT

**Rise Time**  
90 seconds,  
without a load,  
using a 110V  
motor.



**To determine proper ceiling height needed to accommodate a Steel Valley Lift, use the following formula for the applicable vehicles:**

Lower Vehicle Height \_\_\_\_\_ (find proper locking position, that your lower vehicle will fit under, using the leg and locking heights provided above) plus 6 inches (for lock travel) plus the height of the vehicle to go above \_\_\_\_\_ = total ceiling height needed is \_\_\_\_\_.

Ceiling height minus total ceiling height needed = \_\_\_\_\_ total ceiling clearance.

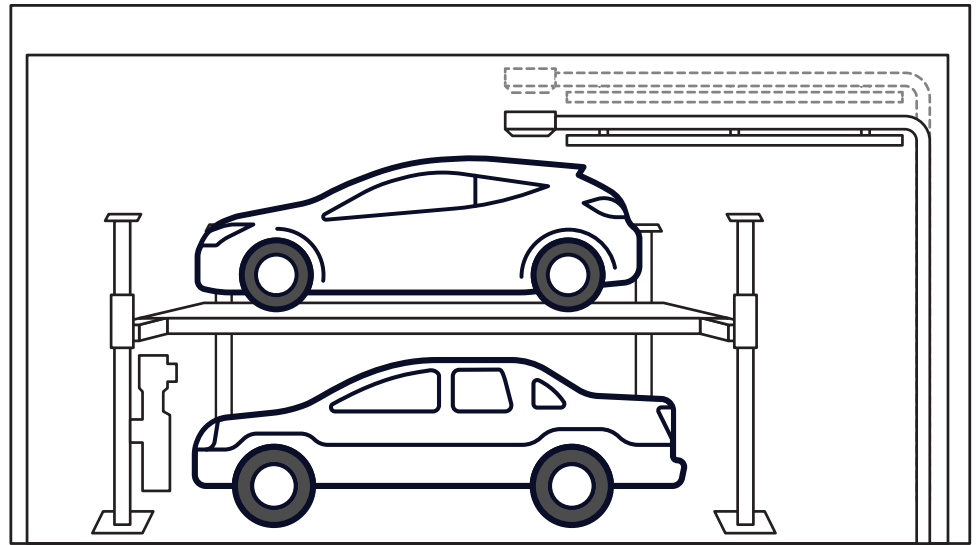
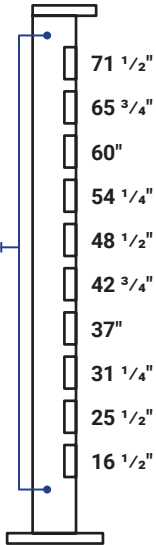
**TO PLACE AN ORDER, CALL 800.837.9353**

**Garage doors and tracks can easily be moved higher if they interfere with the vehicle in the air.** If you can not do it yourself, any qualified local garage door company can do this for you. **Note:** Necessary ceiling height can vary greatly, depending on the height of the vehicles to be used with the lift.

## 7000# SERVICE LIFT

**Rise Time**  
100 seconds,  
without a load,  
using a 110V  
motor.

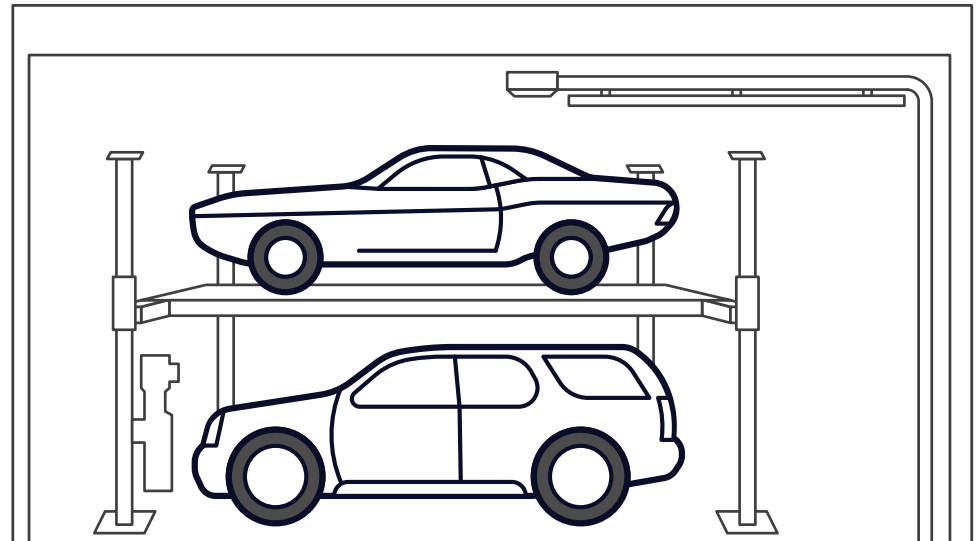
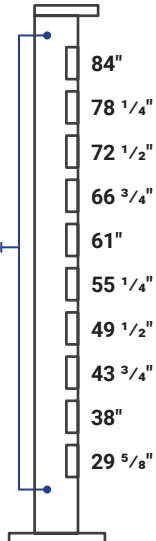
**Lift Height  
Lock Positions**



## 7000# WORKFORCE, COMPACT & BOAT TRAILER LIFT

**Rise Time**  
120 seconds,  
without a load,  
using a 110V  
motor.

**Lift Height  
Lock Positions**



**To determine proper ceiling height needed to accommodate a Steel Valley Lift, use the following formula for the applicable vehicles:**

Lower Vehicle Height \_\_\_\_\_ (find proper locking position, that your lower vehicle will fit under, using the leg and locking heights provided above)  
plus 6 inches (for lock travel) plus the height of the vehicle to go above \_\_\_\_\_ = total ceiling height needed is \_\_\_\_\_.

Ceiling height minus total ceiling height needed = \_\_\_\_\_ total ceiling clearance.

**TO PLACE AN ORDER, CALL 800.837.9353**

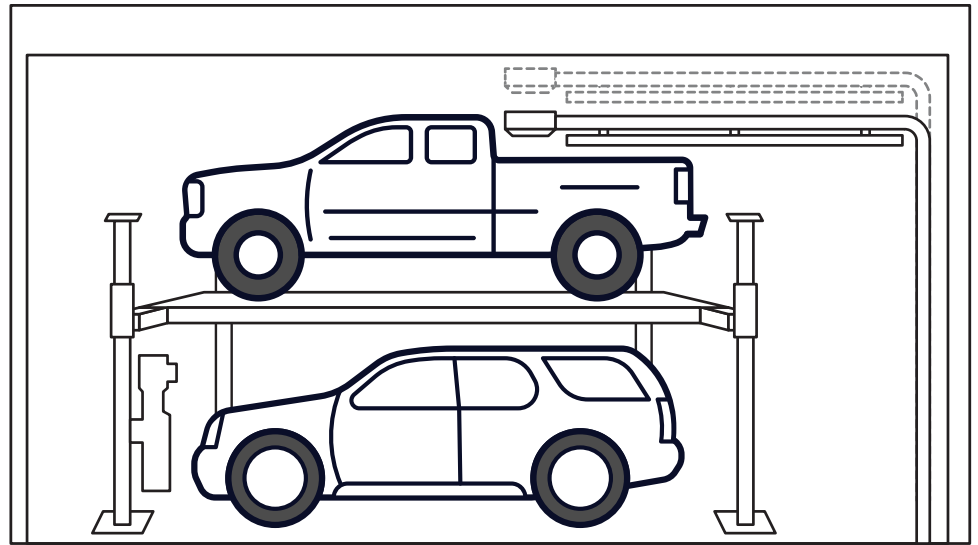
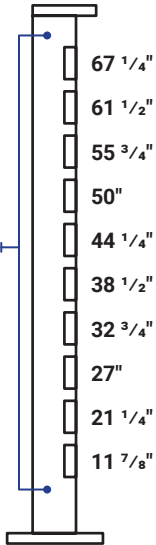
**Garage doors and tracks can easily be moved higher if they interfere with the vehicle in the air.** If you can not do it yourself, any qualified local garage door company can do this for you. **Note:** Necessary ceiling height can vary greatly, depending on the height of the vehicles to be used with the lift.

## 9000# RUGGED LIFT

### Rise Time

120 seconds, without a load, using a 110V motor.

### Lift Height Lock Positions

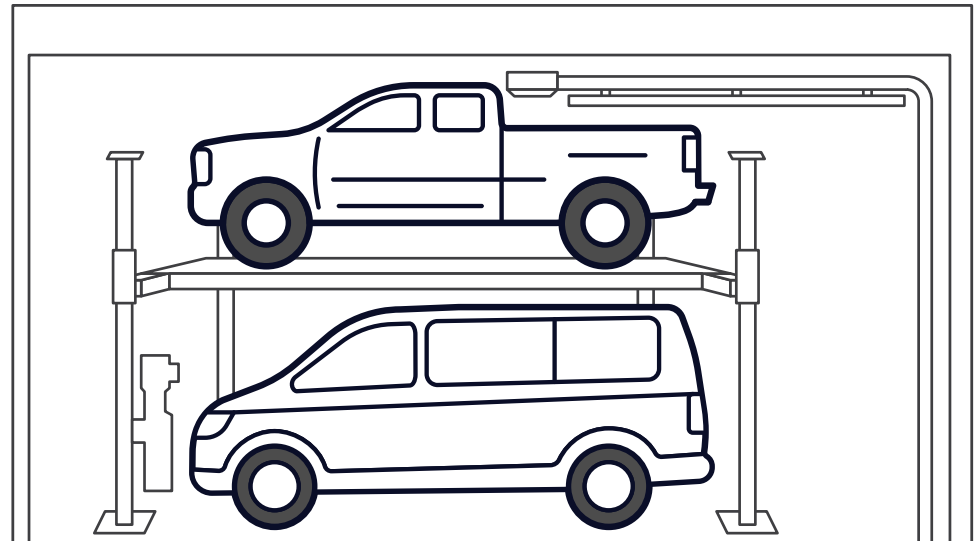
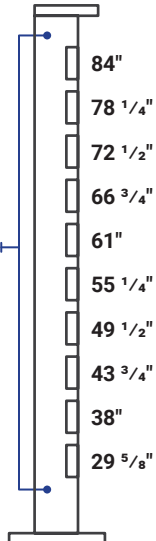


## 9000# SUPER DUTY LIFT

### Rise Time

150 seconds, without a load, using a 110V motor.

### Lift Height Lock Positions



**To determine proper ceiling height needed to accommodate a Steel Valley Lift, use the following formula for the applicable vehicles:**

Lower Vehicle Height \_\_\_\_\_ (find proper locking position, that your lower vehicle will fit under, using the leg and locking heights provided above) plus 6 inches (for lock travel) plus the height of the vehicle to go above \_\_\_\_\_ = total ceiling height needed is \_\_\_\_\_.

Ceiling height minus total ceiling height needed = \_\_\_\_\_ total ceiling clearance.

**TO PLACE AN ORDER, CALL 800.837.9353**